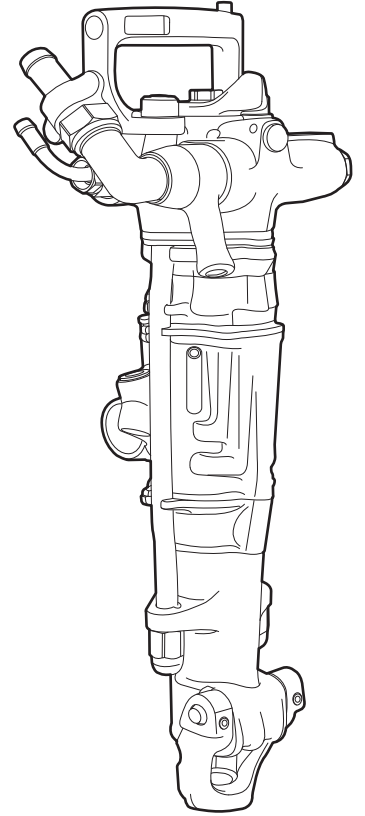


Spare parts list Pusher leg rockdrills



Contents

General information.....	5
Spare parts list.....	6
BBC 16W.....	6
BBC 16WS.....	10
Accessories.....	14
Optional equipment.....	14
Rock drill AIR-OIL.....	14
Kits.....	15
Seal kit.....	15
Side bolt kit.....	15
Silencer kit.....	15

General information

This spare parts list applies to the following:

Part number	Description
8311 0401 10	Pusherleg rock drill BBC 16W
8311 0303 46	Pusherleg rock drill BBC 16WS

Use only authorized parts. Any damage or malfunction caused by the use of unauthorized parts is not covered by Warranty or Product Liability. Any unauthorized use or copying of the contents or any part thereof is prohibited. This applies in particular to trademarks, model denominations, part numbers, and drawings.

Instructions for use

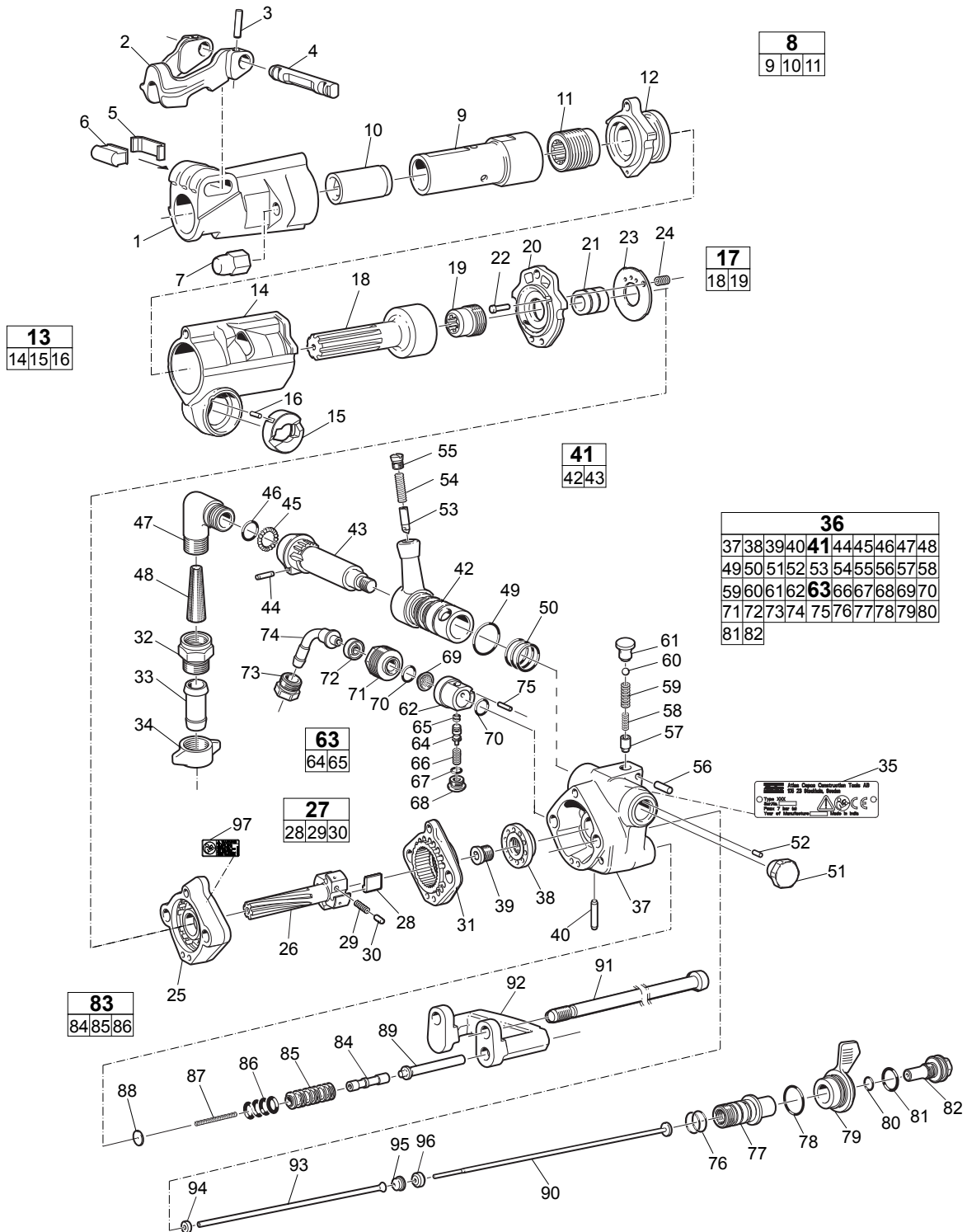
This spare parts list contains no safety regulations and is merely intended to assist in the ordering of spare parts.

For information about operating, servicing, or repairing, the relevant Safety and operating instructions must be consulted at all costs.

Please observe the safety instructions listed in the relevant Safety and operating instructions!

Spare parts list

BBC 16W

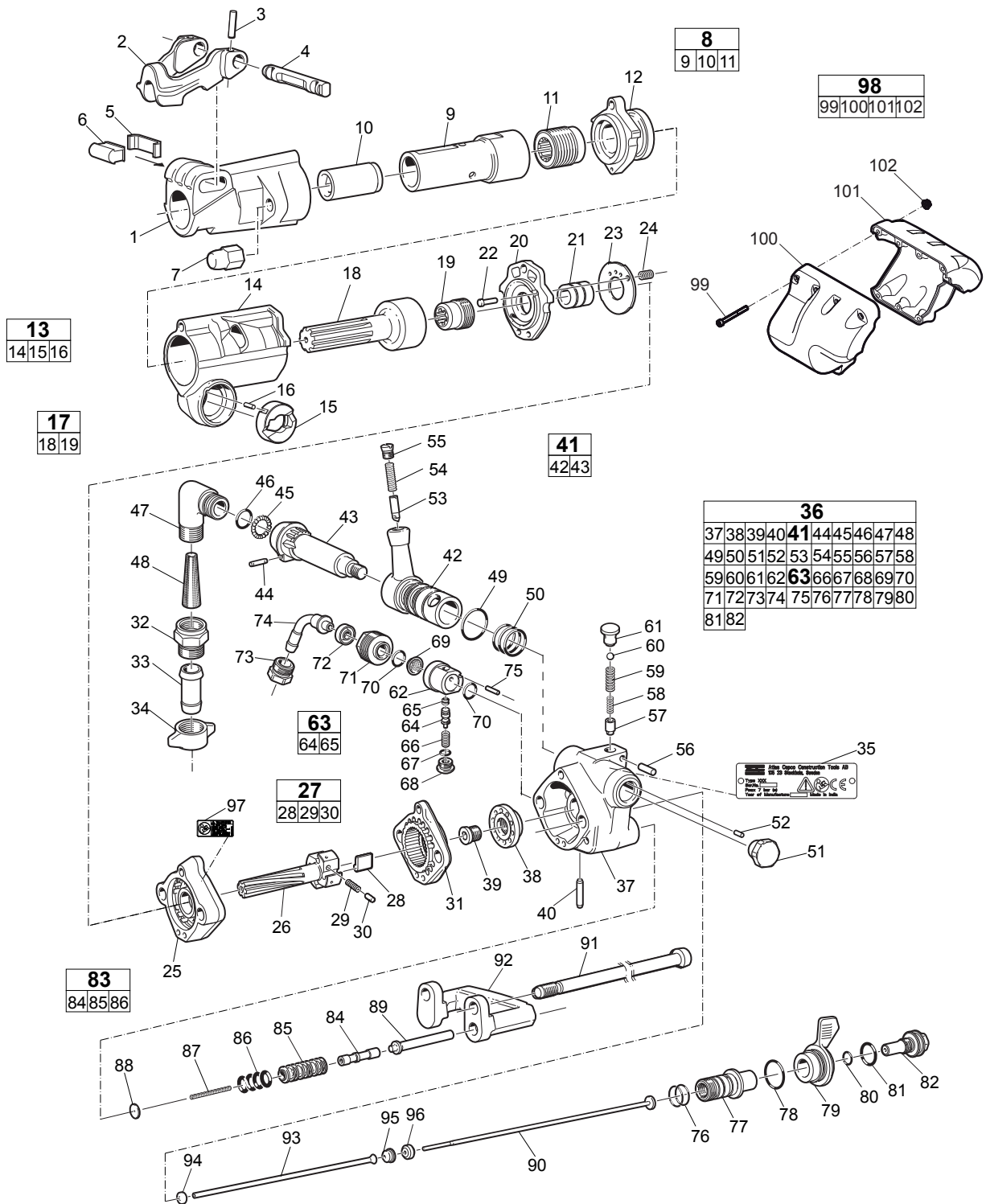


No.	Description	Remark	Quantity	Part number
1	Front head housing		1	3121 0154 00
2	Drill steel retainer		1	3121 0851 00
3	Tension pin		2	0108 3392 00
4	Retainer pin		1	3115 2925 00
5	Buffer plate		1	3121 0029 00
6	Buffer		1	3121 0030 00
7	Side bolt nut		2	3121 0872 00
8(9-11)	Rotation chuck, complete		1	3121 0826 80
9	Rotation chuck		1	-
10	Rotation chuck bushing	22 x 108 mm 7/8 x 4 1/4 in.	1	3121 0824 00
11	Chuck nut		1	3115 1220 00
12	Intermediate part		1	3121 0158 00
13(14-16)	Cylinder, complete		1	3121 0680 80
14	Cylinder		1	-
15	Washer		1	3121 0599 00
16	Pin		1	0101 1274 00
17(18-19)	Piston, complete		1	3121 0159 80
18	Piston		1	-
19	Rifle nut		1	3121 0160 00
20	Cover		1	3121 0162 00
21	Bushing		1	3121 0163 00
22	Guide pin		1	3121 0164 00
23	Main valve		1	3121 0166 00
24	Pressure spring		1	3121 0165 00
25	Valve casing		1	3121 0167 01
26	Rifle bar		1	3121 0170 00
27(28-30)	Pawl, complete		1	3115 9200 90
28	Pawl		4	-
29	Pressure spring		4	3100 9140 02
30	Pawl pin		4	3100 9641 01
31	Ratchet box		1	3121 0168 00
32	Adapter		1	3000 5825 03
33	Hose nipple	25 mm 1 in.	1	9000 0326 00
34	Wing nut		1	9000 0339 00
35	Data plate		1	-
36(37-40,41,44-62,63,66-82)	Back head, complete		1	3121 0597 83
37	Back head housing		1	3121 0597 00
38	Guide ring		1	3121 0592 00
39	Stop screw		1	3121 0604 00
40	Valve pin		1	3121 0586 00
41(42-43)	Throttle valve, complete		1	3121 0489 80
42	Throttle valve		1	-
43	Inlet plug		1	-
44	Pin		1	3121 0595 00
45	Bearing ball		20	0517 1108 00
46	O-ring	26.2 x 3 mm (70 shore) 1.03 x 0.12 in. (70 shore)	1	0663 2128 00
47	Inlet air nipple	25 mm 1 in.	1	3121 0521 00
48	Strainer		1	3121 0513 00

No.	Description	Remark	Quantity	Part number
49	O-ring	44.2 x 3 mm (70 shore) 1.74 x 0.12 in. (70 shore)	1	0663 2135 00
50	O-ring	36.2 x 3 mm (70 shore) 1.43 x 0.12 in. (70 shore)	3	0663 2132 00
51	Plug		1	3121 0493 00
52	Pin		1	0101 1274 00
53	Ratchet pin		1	3121 0490 00
54	Spring		1	3121 0491 00
55	Plug		1	3121 0492 00
56	Pin		1	3121 0595 00
57	Pin		1	3121 0558 00
58	Spring		1	3121 0564 00
59	Spring		1	3121 0737 00
60	Bearing ball		1	0517 1414 00
61	Valve seat		1	3121 0736 00
62	Valve housing		1	3121 0495 81
63(64-65)	Valve body, complete		1	3121 0713 80
64	Valve body		1	-
65	O-ring	5.3 x 2.4 mm (70 shore) 0.21 x 0.09 in. (70 shore)	2	0663 2112 00
66	Pressure spring		1	3121 0497 00
67	O-ring	15.3 x 2.4 mm (70 shore) 0.60 x 0.09 in. (70 shore)	1	0663 2122 00
68	Plug		1	3121 0714 00
69	Water strainer		1	3121 0501 00
70	O-ring	19.2 x 3 mm (70 shore) 0.76 x 0.12 in. (70 shore)	2	0663 2125 00
71	Adapter		1	3121 0716 00
72	Gasket		1	3100 9653 00
73	Adapter		1	3121 0857 00
74	Inlet water nipple	12.5 mm ½ in.	1	3121 0854 00
75	Tubular pin		1	0108 1298 00
76	O-ring	27.1 x 1.6 mm (70 shore) 1.07 x 0.06 in. (70 shore)	2	0663 6129 00
77	Flushing tube bushing		1	3121 0731 00
78	O-ring	36.2 x 3 mm (70 shore) 1.43 x 0.12 in. (70 shore)	1	0663 2132 00
79	Lever		1	3121 0557 00
80	O-ring	15.3 x 2.4 mm (70 shore) 0.60 x 0.09 in. (70 shore)	1	0663 2122 00
81	O-ring	26.6 x 3.5 mm (70 shore) 1.05 x 0.14 in. (70 shore)	1	0663 9184 00
82	Plug		1	3121 0585 00

No.	Description	Remark	Quantity	Part number
83(84-86)	Valve, complete		1	3121 0726 80
84	Valve		1	-
85	Valve liner		1	-
86	O-ring	17.3 x 2.4 mm (70 shore) 0.68 x 0.09 in. (70 shore)	4	0663 2124 00
87	Spring		1	3121 0725 00
88	Washer		1	3121 0724 00
89	Valve pin		1	3121 0675 00
90	Water flushing tube		1	3121 0390 00
91	Side bolt		2	3121 0179 00
92	Handle		1	3121 0674 00
93	Air flushing tube		1	3121 0590 00
94	Rubber gasket		1	3000 0121 00
95	Rubber gasket		1	3100 9646 00
96	Guide ring		1	3121 0776 00
97	Safety label		1	3310 1602 00

BBC 16WS



No.	Description	Remark	Quantity	Part number
1	Front head housing		1	3121 0154 00
2	Drill steel retainer		1	3121 0851 00
3	Tension pin		2	0108 3392 00
4	Retainer pin		1	3115 2925 00
5	Buffer plate		1	3121 0029 00
6	Buffer		1	3121 0030 00
7	Side bolt nut		2	3121 0872 00
8(9-11)	Rotation chuck, complete		1	3121 0826 80
9	Rotation chuck		1	-
10	Rotation chuck bushing	22 x 108 mm 7/8 x 4 1/4 in.	1	3121 0824 00
11	Chuck nut		1	3115 1220 00
12	Intermediate part		1	3121 0158 00
13(14-16)	Cylinder, complete		1	3121 0680 80
14	Cylinder		1	-
15	Washer		1	3121 0599 00
16	Pin		1	0101 1274 00
17(18-19)	Piston, complete		1	3121 0159 80
18	Piston		1	-
19	Rifle nut		1	3121 0160 00
20	Cover		1	3121 0162 00
21	Bushing		1	3121 0163 00
22	Guide pin		1	3121 0164 00
23	Main valve		1	3121 0166 00
24	Pressure spring		1	3121 0165 00
25	Valve casing		1	3121 0167 01
26	Rifle bar		1	3121 0170 00
27(28-30)	Pawl, complete		1	3115 9200 90
28	Pawl		4	-
29	Pressure spring		4	3100 9140 02
30	Pawl pin		4	3100 9641 01
31	Ratchet box		1	3121 0168 00
32	Adapter		1	3000 5825 03
33	Hose nipple	25 mm 1 in.	1	9000 0326 00
34	Wing nut		1	9000 0339 00
35	Data plate		1	-
36(37-40,41,44-62,63,66-82)	Back head, complete		1	3121 0597 83
37	Back head housing		1	3121 0597 00
38	Guide ring		1	3121 0592 00
39	Stop screw		1	3121 0604 00
40	Valve pin		1	3121 0586 00
41(42-43)	Throttle valve, complete		1	3121 0489 80
42	Throttle valve		1	-
43	Inlet plug		1	-
44	Pin		1	3121 0595 00
45	Bearing ball		20	0517 1108 00
46	O-ring	26.2 x 3 mm (70 shore) 1.03 x 0.12 in. (70 shore)	1	0663 2128 00
47	Inlet air nipple	25 mm 1 in.	1	3121 0521 00
48	Strainer		1	3121 0513 00

No.	Description	Remark	Quantity	Part number
49	O-ring	44.2 x 3 mm (70 shore) 1.74 x 0.12 in. (70 shore)	1	0663 2135 00
50	O-ring	36.2 x 3 mm (70 shore) 1.43 x 0.12 in. (70 shore)	3	0663 2132 00
51	Plug		1	3121 0493 00
52	Pin		1	0101 1274 00
53	Ratchet pin		1	3121 0490 00
54	Spring		1	3121 0491 00
55	Plug		1	3121 0492 00
56	Pin		1	3121 0595 00
57	Pin		1	3121 0558 00
58	Spring		1	3121 0564 00
59	Spring		1	3121 0737 00
60	Bearing ball		1	0517 1414 00
61	Valve seat		1	3121 0736 00
62	Valve housing		1	3121 0495 81
63(64-65)	Valve body, complete		1	3121 0713 80
64	Valve body		1	-
65	O-ring	5.3 x 2.4 mm (70 shore) 0.21 x 0.09 in. (70 shore)	2	0663 2112 00
66	Pressure spring		1	3121 0497 00
67	O-ring	15.3 x 2.4 mm (70 shore) 0.60 x 0.09 in. (70 shore)	1	0663 2122 00
68	Plug		1	3121 0714 00
69	Water strainer		1	3121 0501 00
70	O-ring	19.2 x 3 mm (70 shore) 0.76 x 0.12 in. (70 shore)	2	0663 2125 00
71	Adapter		1	3121 0716 00
72	Gasket		1	3100 9653 00
73	Adapter		1	3121 0857 00
74	Inlet water nipple	12.5 mm ½ in.	1	3121 0854 00
75	Tubular pin		1	0108 1298 00
76	O-ring	27.1 x 1.6 mm (70 shore) 1.07 x 0.06 in. (70 shore)	2	0663 6129 00
77	Flushing tube bushing		1	3121 0731 00
78	O-ring	36.2 x 3 mm (70 shore) 1.43 x 0.12 in. (70 shore)	1	0663 2132 00
79	Lever		1	3121 0557 00
80	O-ring	15.3 x 2.4 mm (70 shore) 0.60 x 0.09 in. (70 shore)	1	0663 2122 00
81	O-ring	26.6 x 3.5 mm (70 shore) 1.05 x 0.14 in. (70 shore)	1	0663 9184 00
82	Plug		1	3121 0585 00

No.	Description	Remark	Quantity	Part number
83(84-86)	Valve, complete		1	3121 0726 80
84	Valve		1	-
85	Valve liner		1	-
86	O-ring	17.3 x 2.4 mm (70 shore) 0.68 x 0.09 in. (70 shore)	4	0663 2124 00
87	Spring		1	3121 0725 00
88	Washer		1	3121 0724 00
89	Valve pin		1	3121 0675 00
90	Water flushing tube		1	3121 0390 00
91	Side bolt		2	3121 0179 00
92	Handle		1	3121 0674 00
93	Air flushing tube		1	3121 0590 00
94	Rubber gasket		1	3000 0121 00
95	Rubber gasket		1	3100 9646 00
96	Guide ring		1	3121 0776 00
97	Safety label		1	3310 1602 00
98(99-102)	Silencer, complete		1	3121 5000 37
99	Screw		7	0211 1257 00
100	Silencer half, right		1	3115 3348 00
101	Silencer half, left		1	3115 3349 00
102	Flange nut		7	9232 0207 50

Accessories

Optional equipment

Description	Remark	Quantity	Part number
Lubricator CLG 30, European type claw couplings	For mineral & synthetic oil	1	8202 5102 39
Lubricator CLG 30, US type claw couplings	For mineral & synthetic oil	1	8202 5102 40
Lubricator BLG 30, European type claw couplings	For mineral oil	1	8202 5102 05
Lubricator BLG 30, US type claw couplings	For mineral oil	1	8202 5102 14
Water separator VAM 5A, European type claw couplings	Airflow < 120 l/sAirflow < 254 ft ³ /min	1	8092 0110 82
Water separator VAM 5A, US type claw couplings	Airflow < 120 l/sAirflow < 254 ft ³ /min	1	8092 0110 83
Hose nipple	Ø 1 in. Ø 25 mm	1	9000 0326 00
Rubber hose, pre-mounted with European type claw couplings (3 m)	Ø 1 in. Ø 25 mm	1	9030 2051 00

Rock drill AIR-OIL

Description	Remark	Quantity	Part number
Rock drill AIR-OIL	1 l 0.22 US gal	1	8099 0201 01
Rock drill AIR-OIL	1 l 0.22 US gal	12	8099 0201 81
Rock drill AIR-OIL	4 l 0.88 US gal	1	8099 0201 04
Rock drill AIR-OIL	4 l 0.88 US gal	4	8099 0201 84
Rock drill AIR-OIL	10 l 2.2 US gal	1	8099 0201 10

Kits

Seal kit

Description	Remark	Quantity	Part number
Seal kit		1	3121 5000 90
O-ring	5.3 x 2.4 mm (70 shore) 0.21 x 0.09 in. (70 shore)	2	0663 2112 00
O-ring	15.3 x 2.4 mm (70 shore) 0.60 x 0.09 in. (70 shore)	2	0663 2122 00
O-ring	17.3 x 2.4 mm (70 shore) 0.68 x 0.09 in. (70 shore)	4	0663 2124 00
O-ring	19.2 x 3 mm (70 shore) 0.76 x 0.12 in. (70 shore)	2	0663 2125 00
O-ring	26.2 x 3 mm (70 shore) 1.03 x 0.12 in. (70 shore)	1	0663 2128 00
O-ring	For the coupling on Pusher leg. 36.2 x 3 mm (70 shore) 1.43 x 0.12 in. (70 shore)	3	0663 2132 00
O-ring	44.2 x 3 mm (70 shore) 1.74 x 0.12 in. (70 shore)	1	0663 2135 00
O-ring	27.1 x 1.6 mm (70 shore) 1.07 x 0.06 in. (70 shore)	2	0663 6129 00
O-ring	26.6 x 3.5 mm (70 shore) 1.05 x 0.14 in. (70 shore)	1	0663 9184 00
Rubber gasket		1	3000 0121 00
Rubber gasket		1	3100 9646 00
Gasket		1	3100 9653 00

Side bolt kit

Description	Remark	Quantity	Part number
Side bolt kit		1	3121 5000 26
Nut		2	3121 0872 00
Side bolt		2	3121 0179 00

Silencer kit

Description	Remark	Quantity	Part number
Silencer kit		1	3121 5000 37
Screw		7	0211 1257 00
Silencer half, right		1	3115 3348 00
Silencer half, left		1	3115 3349 00
Flange nut		7	9232 0207 50

Any unauthorized use or copying of the contents or any part thereof is prohibited.
This applies in particular to trademarks, model denominations, part numbers, and drawings.

© 2010 Atlas Copco Construction Tools AB | No. 9800 0670 01b | 2010-09-23

Atlas Copco

www.atlascopco.com